

Environmental Sensor, CO Transmitters, Wall or Duct Type



Description

Electrochemistry CO sensor with a long life, a good long-term stability and an exceptionally high accuracy.

Works perfectly with non-aggressive gases in, for example, a HVAC system.

Perfectly suitable to be used in car parks to monitor the CO level and provide output to the parking guidance system or BMS control.

Main features

- Wall or duct mounting
- 0-10 V or 4-20 mA output
- 300 or 500 ppm measuring range
- Simple installation
- Compact housing
- With or without Modbus communication
- Software for monitoring and configuration: ESCO2 Soft

Applications

- Monitoring for HVAC / Air conditioning system
- Instrument testing equipment
- Environmental control and monitoring system.
- Ventilation system control for indoor parking garages and building.
- **Note:** Application for environmental monitoring only. Not for CO industrial environmental and life support systems.



References

Product selection key



Enter the code entering the corresponding option instead of

Code	Option	Description
ESCO	-	Model
<input type="checkbox"/>	D	Duct mounting
	W	Wall mounting
<input type="checkbox"/>	3	Range: 300 ppm
	5	Range: 500 ppm
<input type="checkbox"/>	V	Output: 0...10 V
	A	Output:4...20 mA
<input type="checkbox"/>	M	Modbus RS485
	-	Without communication

Type selection

Mounting	Range	Output	communication	Code
Duct	300 ppm	4...20 mA	-	ESCOD3A
Duct	500 ppm	4...20 mA	-	ESCOD5A
Duct	300 ppm	0...10 V	-	ESCOD3V
Duct	500 ppm	0...10 V	-	ESCOD5V
Duct	300 ppm	4...20 mA	Modbus RS485	ESCOD3AM
Duct	500 ppm	4...20 mA	Modbus RS485	ESCOD5AM
Duct	300 ppm	0...10 V	Modbus RS485	ESCOD3VM
Duct	500 ppm	0...10 V	Modbus RS485	ESCOD5VM
Wall	300 ppm	4...20 mA	-	ESCOW3A
Wall	500 ppm	4...20 mA	-	ESCOW5A
Wall	300 ppm	0...10 V	-	ESCOW3V
Wall	500 ppm	0...10 V	-	ESCOW5V
Wall	300 ppm	4...20 mA	Modbus RS485	ESCOW3AM
Wall	500 ppm	4...20 mA	Modbus RS485	ESCOW5AM
Wall	300 ppm	0...10 V	Modbus RS485	ESCOW3VM
Wall	500 ppm	0...10 V	Modbus RS485	ESCOW5VM

Features

▶ Power Supply

Power supply	DC	8...35 V
	AC	12...30 V
Current consumption	DC	12 V: 180 mA
	DC	24 V: 60 mA
	AC	12 V: 230 mA
	AC	24 V: 140 mA

▶ Outputs

Output	4...20 mA / 0...10 V, RS-485 & Analogue
--------	---

▶ Environmental

Ambient temperature	0°... +50°C (32°... +122°F)	Operating
	-10° ... +60°C (14° ... +140°F)	Storage
Degree of protection	Housing	IP65
	Sensor	IP20
Electrical protection	Polarity protection, over voltage and short circuit	
Humidity	5...95% (not condensing)	

Measuring Values

Sensor type	Electrochemistry CO sensor	
Media measured	Non-aggressive gas (HVAC system)	
Working range	0...300ppm / 0...500ppm	
Typical Coverage Area	≤ 700 m ² (7500 feet ²)	
Signal connection	3-wire	
Accuracy	@ 25°C ±2°C, 40 ±10% RH	±3% of F.S.
Tolerance of zero-point	< ±10 ppm	
Response times (t90)	60 sec.	
Sensitivity	±10 ppm of measured value	
Load resistance	Current output	< 500 Ω
	Voltage output	> 10 KΩ

Mechanics/electronics

▶ Connection

Electrical connection	M12 connector (Included)
-----------------------	--------------------------

▶ Wiring

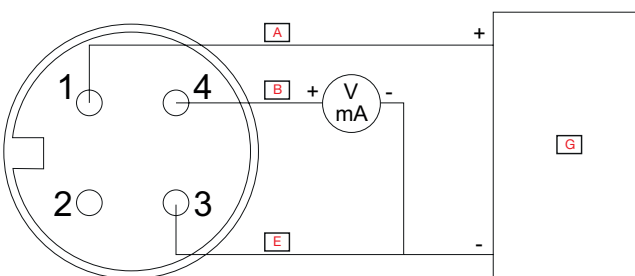


Fig. 1 Analogue output

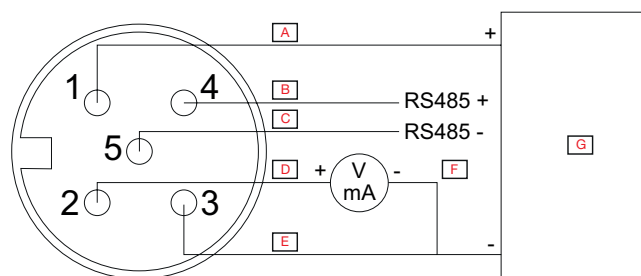


Fig. 2 RS-485 & Analogue

A	Brown	E	Blue
B	Black	F	Output
C	Grey	G	8...35 VDC or 12...30 VAC
D	White		

▶ Housing

Housing	PC fire-proof class (PC-110)	
Installation	ESCOD	Duct mounting
	ESCOW	Wall mounting
Weight	ESCOD	205 g
	ESCOW	162 g



Dimensions

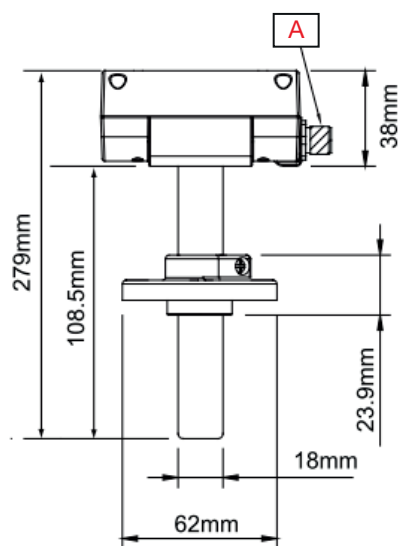


Fig. 3 ESCODxxx

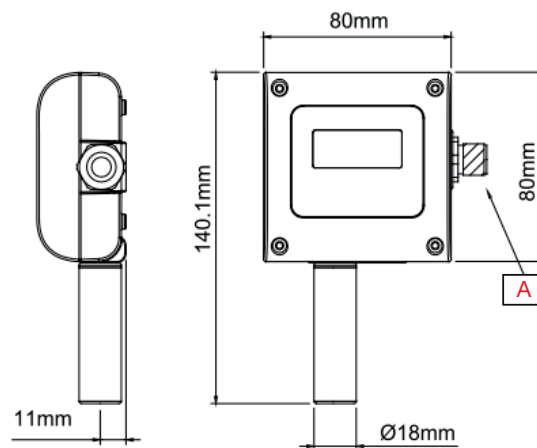


Fig. 4 ESCOWxxx

A	M12 x 1 connector
---	-------------------

Compatibility and conformity

Approvals and markings

CE-marking	
------------	---



Delivery contents and accessories

▶ Delivery contents

Environmental sensor: ESCOxxxx
M12 connector

COPYRIGHT ©2016
Content subject to change.